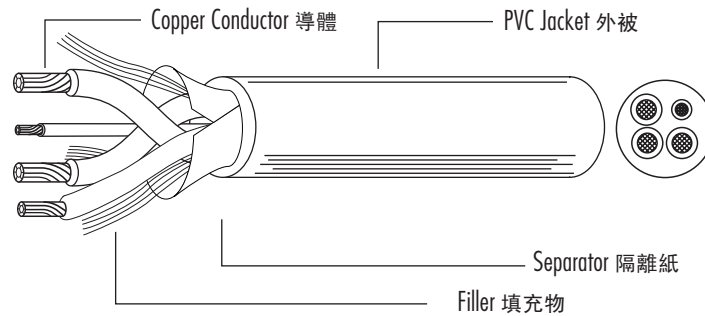




PVC Electric Vehicle Cable

- APPROVAL:  c 
- CONSTRUCTION :



- GENERAL DATA :

TYPE 型號	CONDUCTOR (導體)		INSULATION THICKNESS 絕緣厚度 (mm)	JACKET THICKNESS 外被厚度 (mm)	OVERALL DIAMETER 完成外徑 ± 0.2(mm)
	SIZE 規格	NO./mm 線數 / 線徑			
EVT	10AWG/3C+18AWG/1C	41/0.405+41/0.16	1.14+0.76	2.41	15.3 ± 0.2
	8AWG/3C+18AWG/1C	65/0.405+41/0.16	1.52+0.76	3.17	21.6 ± 0.2
	6AWG/3C+18AWG/1C	105/0.405+41/0.16	1.52+0.76	3.56	24.2 ± 0.2
	4AWG/3C+18AWG/1C	165/0.405+41/0.16	1.52+0.76	3.94	27.6 ± 0.2
	2AWG/3C+18AWG/1C	257/0.405+41/0.16	1.52+0.76	4.32	31.4 ± 0.2

Note: Number of circuit conductors two or more, AWG size of circuit conductors 18AWG-500 kcmil.
Due to O.D. tolerance, The above information is only for reference.

- DESCRIPTION :

Standard: UL 62	標準 : UL 62
File No: File E337756.	檔案號碼 : File E337756
Rated voltage: 600V.	額定電壓 : 600V。
Rated temperature: 60°C ,75°C , 90°C , or 105°C , Dry, 60°C , Wet, 60°C Oil Jacket	額定溫度 : 60°C ,75°C , 90°C , or 105°C , Dry, 60°C , Wet, 60°C Oil Jacket。
Conductors material: Soft-annealed copper(7.1 and 7.2).	導體材質 : 退火軟銅 (7.1 and 7.2)。
Core wire and jacket material: PVC(60°C ,75°C ,90°C ,105°C) .	芯線及外被材質 : PVC(60°C ,75°C ,90°C ,105°C) 。
Fillers: Optional.	填充物 : 可供選擇。
Passed UL VW-1 flame test.	可通過 UL VW-1 垂直型耐燃測試。
Provides excellent heat resistance, cold resistance, heat aging, chemical resistance, solvent resistance, oil resistance, and abrasion resistance.	具有優越之耐熱性、抗冷性、抗熱老化、抗化學、抗溶解、耐油、耐摩擦等特性。

12.1

- APPLICATION :

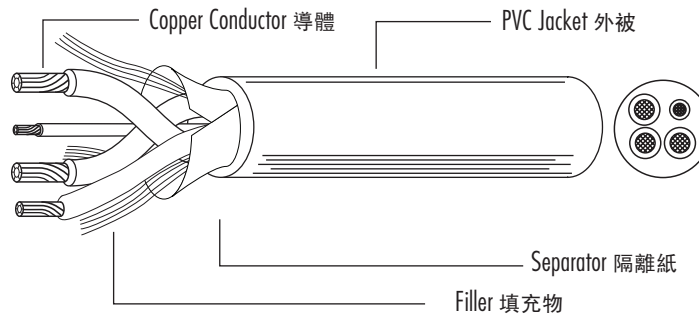
Electric Vehicle Cable is intended for outdoor or indoor use in accordance with Article 400 of the National Electrical Code. 電動車輛用電纜適用於戶外或戶內使用，依照國家電氣代碼 400 條款。





PVC Electric Vehicle Cable

- APPROVAL:  c 
- CONSTRUCTION :



- GENERAL DATA :

TYPE 型號	CONDUCTOR (導體)		INSULATION THICKNESS 絕緣厚度 (mm)	JACKET THICKNESS 外被厚度 (mm)	OVERALL DIAMETER 完成外徑 ± 0.2(mm)
	SIZE 規格	NO./mm 線數 / 線徑			
EVJT	14AWG/3C+18AWG/1C	41/0.254+41/0.16	0.76+0.76	0.76	9.7 ± 0.2
	12AWG/3C+18AWG/1C	65/0.254+41/0.16	0.76+0.76	1.14	11.6 ± 0.2

Note: Number of circuit conductors two or more, AWG size of circuit conductors 18AWG-12AWG
Due to O.D. tolerance, The above information is only for reference.

- DESCRIPTION :

Standard: UL 62	標準 : UL 62
File No: File E337756.	檔案號碼 : File E337756
Rated voltage: 300V.	額定電壓 : 300V。
Rated temperature: 60°C ,75°C , 90°C , or 105°C , Dry, 60°C , Wet, 60°C Oil Jacket	額定溫度 : 60°C ,75°C , 90°C , or 105°C , Dry, 60°C , Wet, 60°C Oil Jacket。
Conductors material: Soft-annealed copper(7.1 and 7.2).	導體材質 : 退火軟銅 (7.1 and 7.2)。
Core wire and jacket material: PVC(60°C ,75°C ,90°C ,105°C) .	芯線及外被材質 : PVC(60°C ,75°C ,90°C ,105°C) 。
Fillers: Optional.	填充物 : 可供選擇。
Passed UL VW-1 flame test.	可通過 UL VW-1 垂直型耐燃測試。
Provides excellent heat resistance, cold resistance, heat aging, chemical resistance, solvent resistance, oil resistance, and abrasion resistance.	具有優越之耐熱性、抗冷性、抗熱老化、抗化學、抗溶解、耐油、耐摩擦等特性。

- APPLICATION :

Electric Vehicle Cable is intended for outdoor or indoor use in accordance with Article 400 of the National Electrical Code.

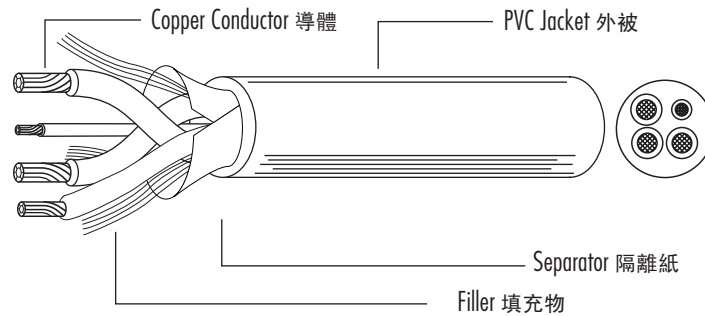
電動車輛用電纜適用於戶外或戶內使用，依照國家電氣代碼 400 條款。





Rubber Electric Vehicle Cable

- APPROVAL:  c 
- CONSTRUCTION :



- GENERAL DATA :

TYPE 型號	CONDUCTOR (導體)		INSULATION THICKNESS 絕緣厚度 (mm)	JACKET THICKNESS 外被厚度 (mm)	OVERALL DIAMETER 完成外徑 ± 0.2(mm)
	SIZE 規格	NO./mm 線數 / 線徑			
EVE	10AWG/3C+18AWG/1C	41/0.405+41/0.16	1.14+0.76	2.41	15.3 ± 0.2
	8AWG/3C+18AWG/1C	65/0.405+41/0.16	1.52+0.76	3.17	21.6 ± 0.2
	6AWG/3C+18AWG/1C	105/0.405+41/0.16	1.52+0.76	3.56	24.2 ± 0.2
	4AWG/3C+18AWG/1C	165/0.405+41/0.16	1.52+0.76	3.94	27.6 ± 0.2
	2AWG/3C+18AWG/1C	257/0.405+41/0.16	1.52+0.76	4.32	31.4 ± 0.2

Note: Number of circuit conductors two or more, AWG size of circuit conductors 18AWG-500 kcmil.
Due to O.D. tolerance, The above information is only for reference.

- DESCRIPTION :

Standard: UL 62	標準 : UL 62
File No: File E337756.	檔案號碼 : File E337756
Rated voltage: 600V.	額定電壓 : 600V。
Rated temperature: 60°C ,75°C , 90°C , or 105°C , Dry, 60°C , Wet, 60°C Oil Jacket	額定溫度 : 60°C ,75°C , 90°C , or 105°C , Dry, 60°C , Wet, 60°C Oil Jacket。
Conductors material: Soft-annealed copper(7.1 and 7.2).	導體材質 : 退火軟銅 (7.1 and 7.2)。
Core wire and jacket material: TPE.	芯線及外被材質 : TPE。
Fillers: Optional.	填充物 : 可供選擇。
Passed UL VW-1 flame test.	可通過 UL VW-1 垂直型耐燃測試。
Provides excellent heat resistance, cold resistance, heat aging, chemical resistance, solvent resistance, oil resistance, and abrasion resistance.	具有優越之耐熱性、抗冷性、抗熱老化、抗化學、抗溶解、耐油、耐摩擦等特性。

12.3

- APPLICATION :

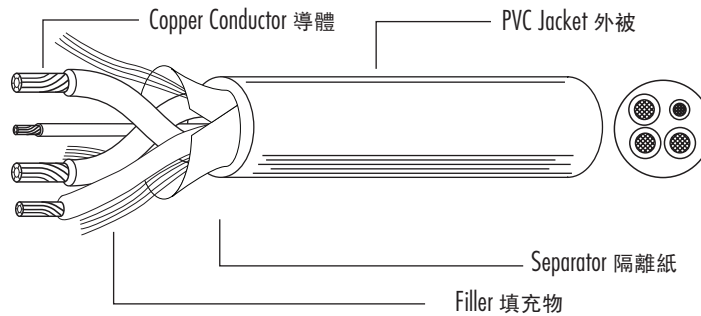
Electric Vehicle Cable is intended for outdoor or indoor use in accordance with Article 400 of the National Electrical Code. 電動車輛用電纜適用於戶外或戶內使用，依照國家電氣代碼 400 條款。





Rubber Electric Vehicle Cable

- APPROVAL:  c 
- CONSTRUCTION :



- GENERAL DATA :

TYPE 型號	CONDUCTOR (導體)		INSULATION THICKNESS 絕緣厚度 (mm)	JACKET THICKNESS 外被厚度 (mm)	OVERALL DIAMETER 完成外徑 ± 0.2(mm)
	SIZE 規格	NO./mm 線數 / 線徑			
EVJE	14AWG/3C+18AWG/1C	41/0.254+41/0.16	0.76+0.76	0.76	9.7 ± 0.2
	12AWG/3C+18AWG/1C	65/0.254+41/0.16	0.76+0.76	1.14	11.6 ± 0.2

Note: Number of circuit conductors two or more, AWG size of circuit conductors 18AWG-12AWG
Due to O.D. tolerance, The above information is only for reference.

- DESCRIPTION :

Standard: UL 62	標準 : UL 62
File No: File E337756.	檔案號碼 : File E337756
Rated voltage: 300V.	額定電壓 : 300V。
Rated temperature: 60°C , 75°C , 90°C , or 105°C , Dry, 60°C , Wet, 60°C Oil Jacket	額定溫度 : 60°C , 75°C , 90°C , or 105°C , Dry, 60°C , Wet, 60°C Oil Jacket。
Conductors material: Soft-annealed copper(7.1 and 7.2).	導體材質 : 退火軟銅 (7.1 and 7.2)。
Core wire and jacket material: TPE.	芯線及外被材質 : TPE。
Fillers: Optional.	填充物 : 可供選擇。
Passed UL VW-1 flame test.	可通過 UL VW-1 垂直型耐燃測試。
Provides excellent heat resistance, cold resistance, heat aging, chemical resistance, solvent resistance, oil resistance, and abrasion resistance.	具有優越之耐熱性、抗冷性、抗熱老化、抗化學、抗溶解、耐油、耐摩擦等特性。

- APPLICATION :

Electric Vehicle Cable is intended for outdoor or indoor use in accordance with Article 400 of the National Electrical Code.

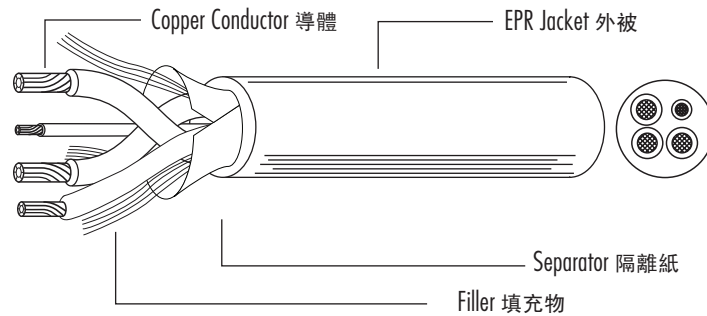
電動車輛用電纜適用於戶外或戶內使用，依照國家電氣代碼 400 條款。





Rubber Electric Vehicle Cable

- APPROVAL: 
- CONSTRUCTION :



GENERAL DATA :

TYPE 型號	CONDUCTOR (導體)		INSULATION THICKNESS 絕緣厚度 (mm)	JACKET THICKNESS 外被厚度 (mm)	OVERALL DIAMETER 完成外徑 ± 0.2(mm)
	SIZE 規格	NO./mm 線數 / 線徑			
H07RN	1.5mm ² /3C + 0.5mm ² /1C	30/0.254 + 20/0.18	0.8 +	1.6	
	2.5mm ² /3C + 0.5mm ² /1C	49/0.254 + 20/0.18	0.9 +	1.8	
	4.0mm ² /3C + 0.5mm ² /1C	80/0.254 + 20/0.18	1.0 +	1.9	
	6.0mm ² /3C + 0.5mm ² /1C	118/0.254 + 20/0.18	1.0 +	2.1	
	10.0mm ² /3C + 0.5mm ² /1C	77/0.405 + 20/0.18	1.2 +	3.3	

Note: Number of circuit conductors

DESCRIPTION:

Operating temperature: -15°C+60°C. 操作溫度： -15°C+60°C。

Rated voltage: 450/750V. 額定電壓： 450/750V。

Test voltage: 2500V. 測試電壓： 2500V。

Bare or tinned stranded copper conductor. 裸軟銅或鍍錫銅絞線。

EPR insulation. 乙丙橡膠絕緣。

CPE/CR jacket. 氯丁橡膠或氯化聚乙烯外被。

APPLICATION:

For high electrical equipment.

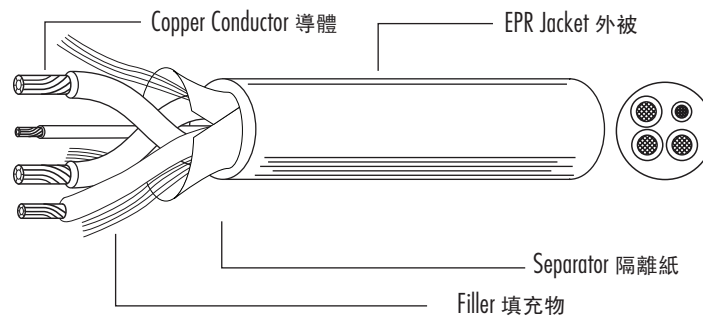
應用於強電設備及一般電線之規定，適用於戶外，家用電器之電源連接線及各種移動式電動工具、制冷設備、工程機械等，可承受一定機械強度。





Rubber Electric Vehicle Cable

- APPROVAL: 
- CONSTRUCTION :



- GENERAL DATA :

TYPE 型號	CONDUCTOR (導體)		INSULATION THICKNESS 絕緣厚度 (mm)	JACKET THICKNESS 外被厚度 (mm)	OVERALL DIAMETER 完成外徑 ± 0.2(mm)
	SIZE 規格	NO./mm 線數 / 線徑			
H07BB	1.5mm ² /3C + 0.5mm ² /1C	30/0.254 + 20/0.18	0.8 +	1.6	
	2.5mm ² /3C + 0.5mm ² /1C	49/0.254 + 20/0.18	0.9 +	1.8	
	4.0mm ² /3C + 0.5mm ² /1C	80/0.254 + 20/0.18	1.0 +	1.9	
	6.0mm ² /3C + 0.5mm ² /1C	118/0.254 + 20/0.18	1.0 +	2.1	
	10.0mm ² /3C + 0.5mm ² /1C	77/0.405 + 20/0.18	1.2 +	3.3	

Note: Number of circuit conductors

- DESCRIPTION:

Operating temperature: -25+90°C.

操作溫度：-25+90°C。

Rated voltage: 450/750V.

額定電壓：450/750V。

Bare or tinned copper conductor.

裸銅或鍍錫銅。

EPR insulation.

乙丙橡膠絕緣。

EPR jacket.

乙丙橡膠外被。

- APPLICATION:

For indoors and outdoors use to connect moveable items. 適用於室內和室外連接可移動的設備。

